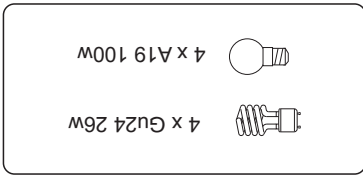




- The safety of this fixture is only guaranteed if the following instructions have been observed
- Always disconnect power before working on fixture.
- Replacement bulbs must be of same type and wattage as specified in instructions.
- Metal surfaces, glass or other parts of fixture may be cleaned with a soft damp cloth and mild detergent.



Input voltage: 110V - 60Hz

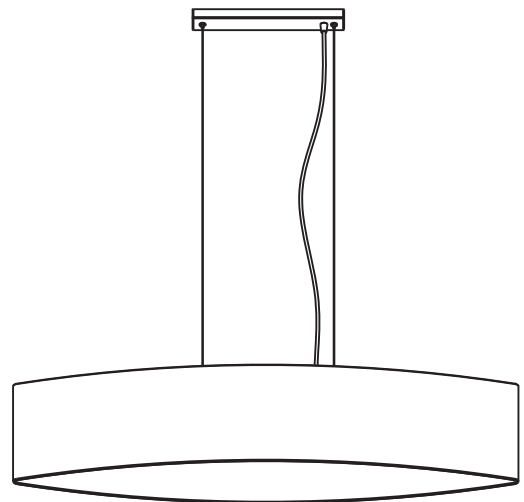
Light for indoor use only

Warning: all wires and wire nuts used in the installation must be rated 195f (90°C) for indoor use only these product must be installed by a qualified electrician.

Save these instructions. Min 90c supply conductors. Caution-risk of fire. Use stated watt or smaller. Caution-risk of shock. Disconnect power before servicing. To reduce the risk of a burn during relamping, allow the bulb to cool down. Suitable for dry locations only. This product must be installed in accordance with the applicable installation code by a person familiar with the construction and operation of the product and the hazard involved.

UL 1598 ELECTRICAL INSTRUCTION FOR FLUSHMOUNTS, WALL SCANCES AND PENDANTS

SYLVA



EL TORRENT IL·LUMINACIÓ S.L.

C/ Curreró 8, 17830
Mieres (Girona) Spain

T. +34 972 680 291
F. +34 972 680 011
eltorrent@eltorrent.com

www.eltorrent.com

Assembly instructions
Instrucciones de montaje

