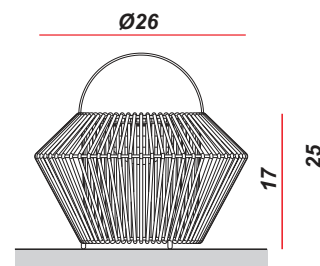


KD.109.14

Description / Descripción

- **Portable table lamp.**
- **Lamp without cables. Rechargeable LED lighting system**
- **Polypropylene cord lampshade with UV-treated in different colors.**
- **Available in 4 different sizes.**
- **Luminaire suitable for outdoor use. IP66**

- *Modelo de sobremesa portátil.*
- *Luminaria sin cables. Fuente de luz LED recargable.*
- *Pantalla de cordón polipropileno trenzado, disponible en varios colores. Tratamiento UVA.*
- *Disponible en 4 medidas diferentes.*
- *Apto para exteriores. IP66.*



Rechargeable LED module

Módulo LED recargable

- ▶ LED 2.5W / 2700K / 290lm
- ▶ Battery autonomy: 7h (at peak performance)
- ▶ LED dimmer: 10% / 50% / 100%
- ▶ Remote control.
- ▶ Switch (ON/OFF) on the LED module.
- ▶ Induction charging system. 800mA.
- ▶ Battery charging time: 4h
- ▶ Led module suitable for outdoor use. **IP66**

- ▶ LED 2.5W / 2700K / 290lm
- ▶ Autonomía de 7h (funcionando al 100%)
- ▶ 3 intensidades del luz: 10% / 50% / 100%
- ▶ Sistema de control por mando a distancia
- ▶ Interrupor táctil ON/OFF en la base del módulo
- ▶ Sistema de carga por inducción 800mA
- ▶ Tiempo de carga: 4h
- ▶ Apto para exterior: **IP66**

Packaging / Embalaje

- ▣ 1 box
- 32x32x25 cm / 0,03m³
- Peso neto: 1 Kg

LampshadeCaracterísticas

Lampshade
Pantalla

Polypropylene braided cord
Cordón trenzado de polipropileno

Consultar colores disponibles
Ask for available colors

Certifications:

CE IP66



USA Certifications:



Intertek
4006546

(Pending)

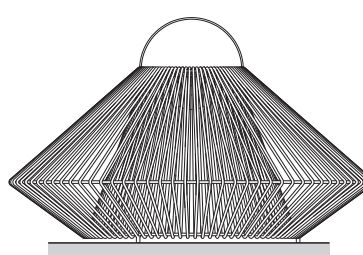
Suitable for outdoor use / Apta para uso exterior



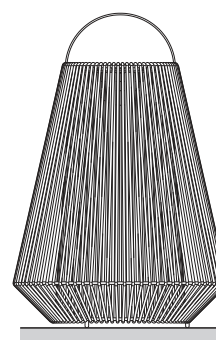
KD.109.14



KD.110.14



KD.111.14



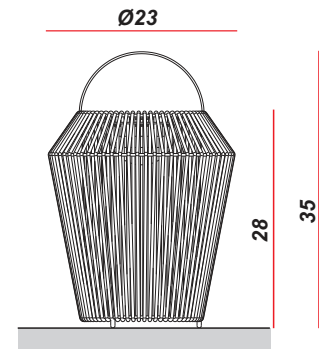
KD.112.14

KD.110.14

Description / Descripción

- **Portable table lamp.**
- **Lamp without cables. Rechargeable LED lighting system**
- **Polypropylene cord lampshade with UV-treated in different colors.**
- **Available in 4 different sizes.**
- **Luminaire suitable for outdoor use. IP66**

- *Modelo de sobremesa portátil.*
- *Luminaria sin cables. Fuente de luz LED recargable.*
- *Pantalla de cordón polipropileno trenzado, disponible en varios colores. Tratamiento UVA.*
- *Disponible en 4 medidas diferentes.*
- *Apto para exteriores. IP66.*



Rechargeable LED module

Módulo LED recargable

- ▶ LED 2.5W / 2700K / 290lm
- ▶ Battery autonomy: 7h (at peak performance)
- ▶ LED dimmer: 10% / 50% / 100%
- ▶ Remote control.
- ▶ Switch (ON/OFF) on the LED module.
- ▶ Induction charging system. 800mA.
- ▶ Battery charging time: 4h
- ▶ Led module suitable for outdoor use. **IP66**

Packaging / Embalaje

- ▣ 1 box
- 26x26x40 cm / 0,03m³
- Peso neto: 1 Kg*

LampshadeCaracterísticas

Lampshade
Pantalla

Polypropylene braided cord
Cordón trenzado de polipropileno

Consultar colores disponibles
Ask for available colors

Certifications:

CE IP66



USA Certifications:



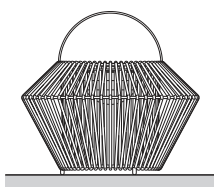
(Pending)

Suitable for outdoor use / Apta para uso exterior

- ▶ LED 2.5W / 2700K / 290lm
- ▶ Autonomía de 7h (funcionando al 100%)
- ▶ 3 intensidades del luz: 10% / 50% / 100%
- ▶ Sistema de control por mando a distancia
- ▶ Interrupor táctil ON/OFF en la base del módulo
- ▶ Sistema de carga por inducción 800mA
- ▶ Tiempo de carga: 4h
- ▶ Apto para exterior: **IP66**

KD.112.14

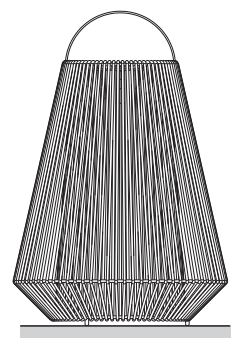
KD.109.14



KD.110.14



KD.111.14

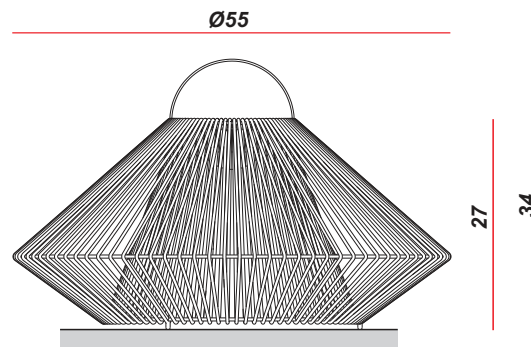


KD.111.14

Description / Descripción

- **Portable table lamp.**
- **Lamp without cables. Rechargeable LED lighting system**
- **Polypropylene cord lampshade with UV-treated in different colors.**
- **Available in 4 different sizes.**
- **Luminaire suitable for outdoor use. IP66**

- *Modelo de sobremesa portátil.*
- *Luminaria sin cables. Fuente de luz LED recargable.*
- *Pantalla de cordón polipropileno trenzado, disponible en varios colores. Tratamiento UVA.*
- *Disponible en 4 medidas diferentes.*
- *Apto para exteriores. IP66.*



Rechargeable LED module

Módulo LED recargable

- ▶ LED 2.5W / 2700K / 290lm
- ▶ Battery autonomy: 7h (at peak performance)
- ▶ LED dimmer: 10% / 50% / 100%
- ▶ Remote control.
- ▶ Swich (ON/OFF) on the LED module.
- ▶ Induction charging system. 800mA.
- ▶ Battery charging time: 4h
- ▶ Led module suitable for outdoor use. **IP66**

- ▶ LED 2.5W / 2700K / 290lm
- ▶ Autonomía de 7h (funcionando al 100%)
- ▶ 3 intensidades del luz: 10% / 50% / 100%
- ▶ Sistema de control por mando a distancia
- ▶ Interrupor táctil ON/OFF en la base del módulo
- ▶ Sistema de carga por inducción 800mA
- ▶ Tiempo de carga: 4h
- ▶ Apto para exterior: **IP66**

Packaging / Embalaje

- 1 box
- 64x64x45 cm / 0,17m³
- Peso neto: 1,5 Kg

LampshadeCaracterísticas

Lampshade
Pantalla

Polypropylene braided cord
Cordón trenzado de polipropileno

Consultar colores disponibles
Ask for available colors

Certifications:

CE IP66



USA Certifications:

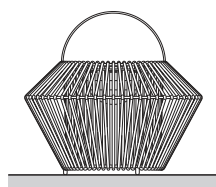


Intertek
4006546

(Pending)

Suitable for outdoor use / Apta para uso exterior

KD.109.14



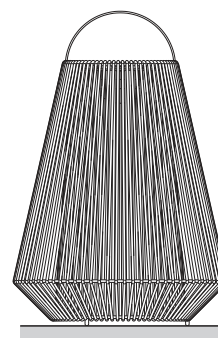
KD.110.14



KD.111.14



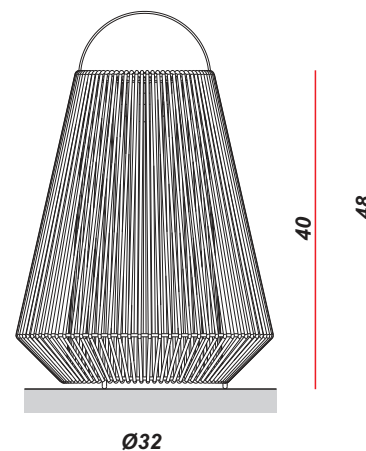
KD.112.14



KD.112.14

Description / Descripción

- **Portable table lamp.**
 - **Lamp without cables. Rechargeable LED lighting system**
 - **Polypropylene cord lampshade with UV-treated in different colors.**
 - **Available in 4 different sizes.**
 - **Luminaire suitable for outdoor use. IP66**
-
- *Modelo de sobremesa portátil.*
 - *Luminaria sin cables. Fuente de luz LED recargable.*
 - *Pantalla de cordón polipropileno trenzado, disponible en varios colores. Tratamiento UVA.*
 - *Disponible en 4 medidas diferentes.*
 - *Apto para exteriores. IP66.*



Rechargeable LED module

Módulo LED recargable

- ▶ LED 2.5W / 2700K / 290lm
- ▶ Battery autonomy: 7h (at peak performance)
- ▶ LED dimmer: 10% / 50% / 100%
- ▶ Remote control.
- ▶ Switch (ON/OFF) on the LED module.
- ▶ Induction charging system. 800mA.
- ▶ Battery charging time: 4h
- ▶ Led module suitable for outdoor use. **IP66**

- ▶ LED 2.5W / 2700K / 290lm
- ▶ Autonomía de 7h (funcionando al 100%)
- ▶ 3 intensidades del luz: 10% / 50% / 100%
- ▶ Sistema de control por mando a distancia
- ▶ Interrupor táctil ON/OFF en la base del módulo
- ▶ Sistema de carga por inducción 800mA
- ▶ Tiempo de carga: 4h
- ▶ Apto para exterior: **IP66**

Packaging / Embalaje

- ▣ 1 box
- 34x34x56 cm / 0,07m³
- Peso neto: 1,5 Kg

LampshadeCaracterísticas

Lampshade
Pantalla

Polypropylene braided cord
Cordón trenzado de polipropileno

Consultar colores disponibles
Ask for available colors

Certifications:

CE IP66



USA Certifications:



Intertek
4006546

(Pending)

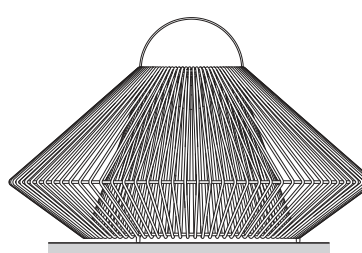
Suitable for outdoor use / Apta para uso exterior



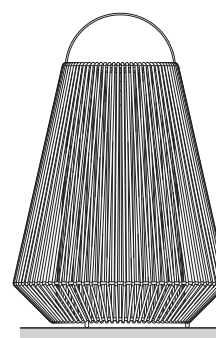
KD.109.14



KD.110.14



KD.111.14



KD.112.14