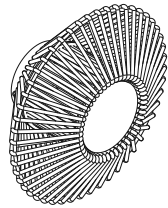


EL TORRENT IL·LUMINACIÓ S.L.

C/ Carreró 8, 17830
Mieres (Girona) Spain

T. +34 972 680 291
F. +34 972 680 011
eltorrent@eltorrent.com

www.eltorrent.com

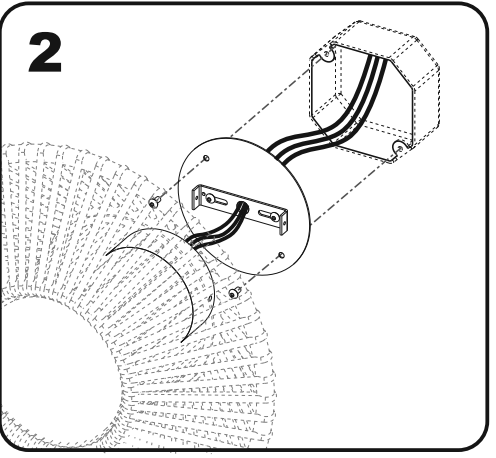
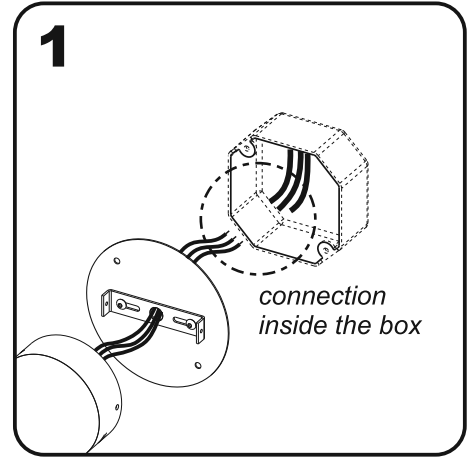
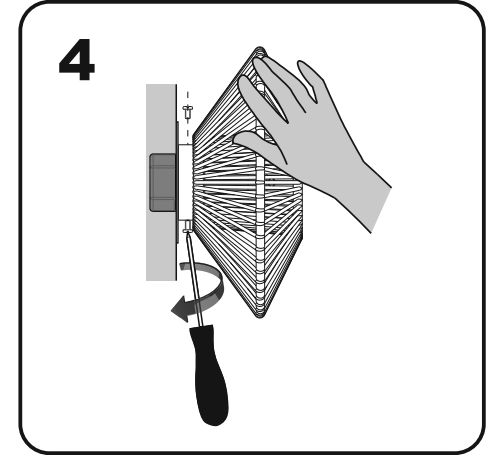
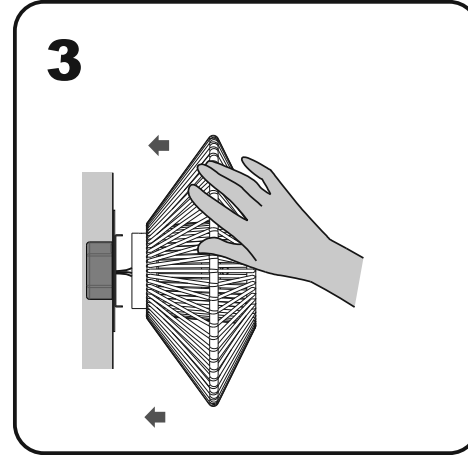


Assembly instructions
Instrucciones de montaje

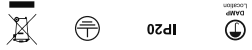
BAUMA wall lamp

U11598.
ELECTRICAL INSTRUCTIONS FOR FLUSHMOUNTS, WALL SCONES, AND PENDANTS.
Save these instructions. Min 90C supply conductors.
Caution risk of fire. Use stated watt or smaller. Caution risk of shock. Disconnect power before servicing.
To reduce the risk of a burn during replacing, allow to the bulb to cool down. Allowed for damp locations.
This product must be installed in accordance with the applicable installation code.
Warning: all wires and wire nuts used in the installation must be rated 195°F(90C) for indoor use by a person familiar with the construction and operation of the product and the hazard involved. Only these product must be installed by a qualified electrician.

UL8750.
ELECTRICAL INSTRUCTIONS FOR LAMPS WITH LED TECHNOLOGY.
Save these instructions. Min 90C supply conductors.
Caution risk of fire. Use stated watt or smaller. Caution risk of shock. Disconnect power before servicing.
Isn't allowed to change or replace any of the components involved on this piece without the authorization and instructions from the manufacturer.
Allowed for damp locations. This product must be installed in accordance with the applicable installation code.
Warning: all wires and wire nuts used in the installation must be rated 195°F(90C) for indoor use by a person familiar with the construction and operation of the product and the hazard involved. Only these product must be installed by a qualified electrician.



- The safety of this fixture is only guaranteed if the following instructions have been observed.
- Always disconnect power before working on fixture.
- La securite du montage est seulement garanti si vous avez respecter les instructions suivants.
- Avant de monter déconnecter le courant.
- Les ampoules de remplacement doivent être



TUSBMW022M	1x2W LED Medium base 120V 2700K 800 CRI80
TUSBMW028M	TRAC dimming

Light for indoor use only
Seulement pour éclairage intérieur
Tension d'entrée: 120-277V / 50-60Hz
Input voltage: 120-277V / 50-60Hz

