



- La securite du montage est seulement garanti si vous avez respecter les instructions suivants.
- Avant de monter/déconnecter le courant:
- Les ampoules de remplacement doivent être de même type et la puissance en watts que spécifiée dans des instructions.
- Des surfaces métalliques, le verre ou d'autres parties peuvent être nettoyés avec un tissu humide doux et un détergent doux.



- The safety of this fixture is only guaranteed if the following instructions have been observed.
- Always disconnect power before working on fixture.
- Replacement bulbs must be of same type and wattage as specified in instructions.
- Metal surfaces, glass or other parts of fixture may be cleaned with a soft damp cloth and mild detergent.



TU.S.BM.S040.02  TU.S.BM.S140.02
 1x6W LED Medium base 120V

Light for indoor use only
 Seulement pour éclairage intérieur
Tension d'entrée: 120-277V / 50-60Hz
 Input voltage: 120-277V / 50-60Hz

UL8750. ELECTRICAL INSTRUCTIONS FOR LAMPS WITH LED TECHNOLOGY.
 Save these instructions. Min 90c supply conductors.
 Caution risk of fire. Use stated watt or smaller. Caution risk of shock. Disconnect power before servicing.
 Isn't allowed to change or replace any of the components involved on this piece without the authorization and instructions from the manufacturer.
 Allowed for damp locations. This product must be installed in accordance with the applicable installation code.
 by a person familiar with the construction and operation of the product and the hazard involved. Warning: all wires and wire nuts used in the installation must be rated 195F(90C) for indoor use only these product must be installed by a qualified electrician.

U11598. ELECTRICAL INSTRUCTIONS FOR FLUSHMOUNTS, WALL SCONCES, AND PENDANTS.
 Save these instructions. Min 90c supply conductors.
 Caution risk of fire. Use stated watt or smaller. Caution risk of shock. Disconnect power before servicing.
 To reduce the risk of a burn during replacing, allow to the bulb to cool down. Allowed for damp locations.
 This product must be installed in accordance with the applicable installation code.
 by a person familiar with the construction and operation of the product and the hazard involved. Warning: all wires and wire nuts used in the installation must be rated 195F(90C) for indoor use only these product must be installed by a qualified electrician.



EL TORRENT IL·LUMINACIÓ S.L.

C/ Curreró 8, 17830
 Mieres (Girona) Spain

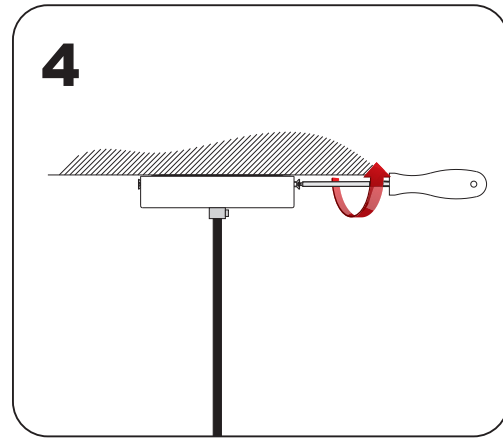
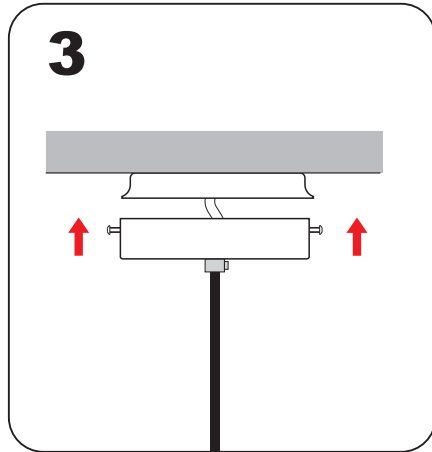
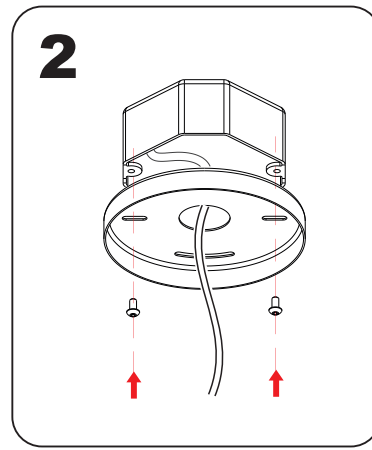
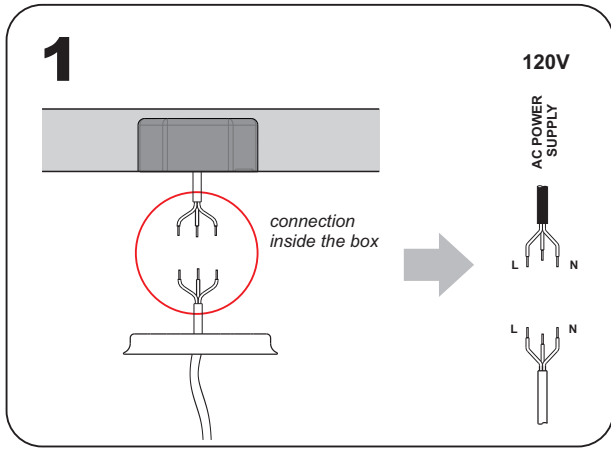
T. +34 972 680 291
 F. +34 972 680 011
 eltorrent@eltorrent.com

www.eltorrent.com

BAUMA



Assembly instructions
 Instrucciones de montaje



Bulb replacement instructions

